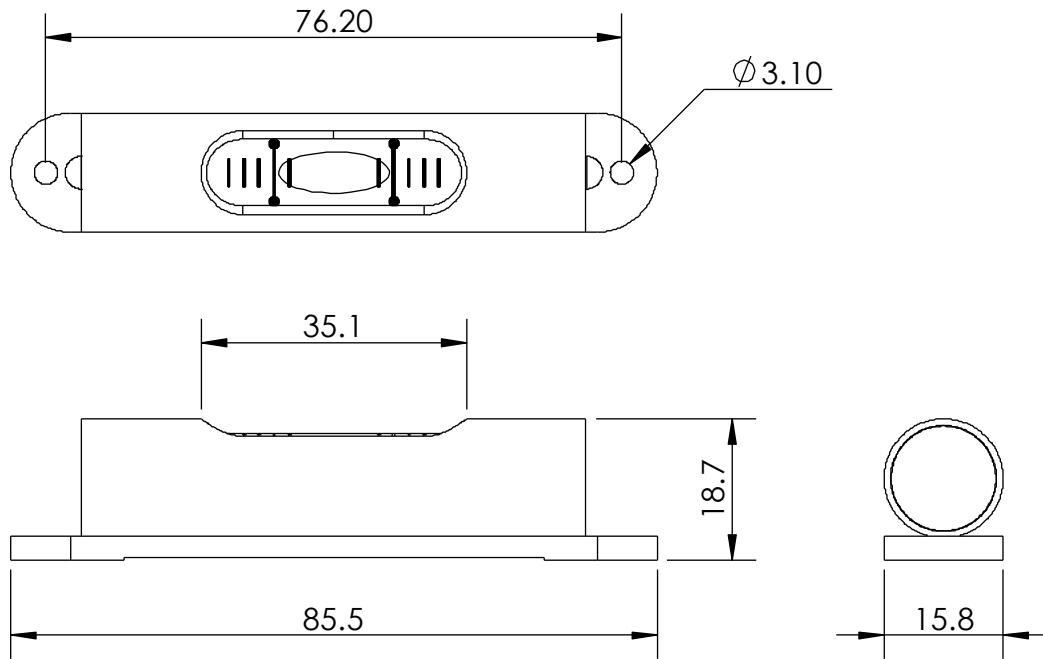


Note:
Sensitivity 1 minute ($\pm 10''$) / 2mm div.
Airbell 15 - 15.5mm @20°C



1	95	Minor changes in dimensions and design	25/03/14
---	----	--	----------

Unless Otherwise Specified: Units: mm Tolerances: XX. ± 1.0 XX.X ± 0.25 XX.XX ± 0.1	FINISH: Black Anodised	DEBUR AND BREAK SHARP EDGES
--	-------------------------------	-----------------------------------

Issue	ECN	Notes	Date
-------	-----	-------	------

	NAME	SIGNATURE	DATE
DRAWN	Jan Sandberg		25/03/14
CHK'D			
APPV'D			
MFG			
Q.A			

level developments

MATERIAL:
Aluminium housing
Glass vial

TITLE:
TL85 Instrument Level, 1'/2mm

DWG NO.	3185-1	A4
---------	---------------	----